



10NW76-16

10in Low Frequency Speaker

Features

- 800 W continuous program power capacity
- 76 mm (3 in) copper clad aluminum wire voice coil
- Neodymium magnet

Specifications

Nominal Diameter	250mm (10in)
Nominal Power (AES) ¹	400W
Program Power ²	800W
Sensitivity (1W/1m) ³	96.8dB
Voice Coil Diameter	76mm (3in)
Magnet Material	Neodymium
Nominal Impedance	16Ω
Frequency Range	62 - 3500Hz

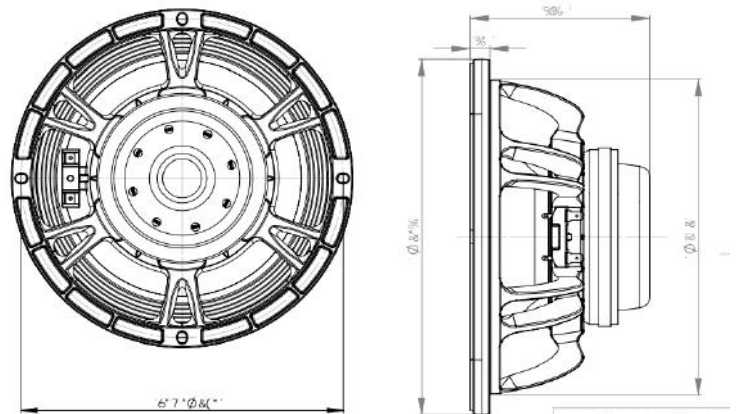
Thiele & Small Parameters

Fs	68Hz
Qes	0.3
Qts	0.29
Qms	8.7
Re	10.0Ω
Sd	320cm ²
Vas	18.5L
BxL	24.7Tm
Mms	42.5g
Le (1kHz)	0.58mH
Xmax (lin.) ⁴	7.0mm

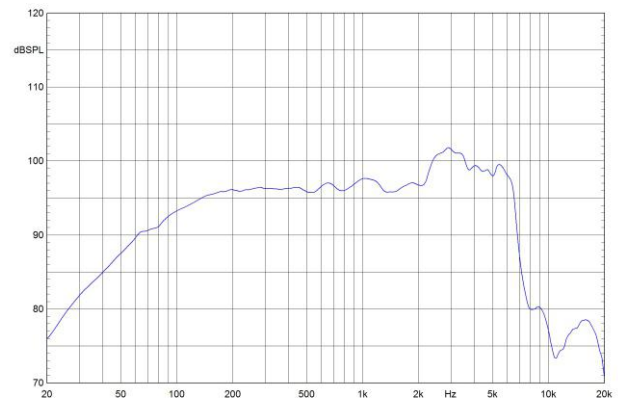
Mounting Information

Overall Diameter	261mm
Flange and Gasket Thickness	13 mm
Bolt Circle Diameter	246mm
Baffle Cutout	233mm
Overall Depth	119mm
Net Weight	3.8kg

- Notes:**
- 2 hours test with pink noise (6dB crest) between Fs and 10Fs. Power calculated on rated minimum impedance.
 - Program Power is defined as 3dB greater than the AES Power
 - RMS Voltage set to 2.83V at nominal impedance
 - Xmax is defined as (Hc - Hg)/2



Frequency response measured in a quasi-infinite baffle



Impedance for 16Ω driver

