



# 14NA100

## Features:

- 1400W continuous program power capacity
- 100mm (4 in) aluminum voice coil
- 45 - 2000Hz response
- 99dB sensitivity
- Aluminium demodulating ring allows a very low distortion figure
- Double silicone spider with optimized compliance
- Ventilated voice coil gap for reduced power compression



## Specifications

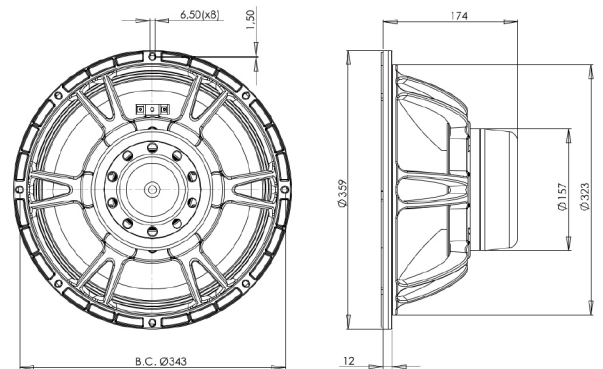
Nominal Diameter	359mm(14.0 in)
Nominal Power (AES) <sup>1</sup>	700W
Program Power <sup>2</sup>	1400W
Sensitivity (1W/1m) <sup>3</sup>	99.0dB
Voice Coil Diameter	100mm(4.0 in)
Magnet Material	Neodymium Inside Slug
Nominal Impedance	8Ω
Frequency Range	45-2000Hz

## Thiele & Small Parameters

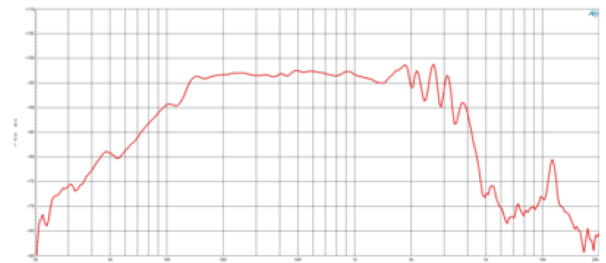
Qes	0.24
Qts	0.23
Qms	5.6
Re	5.1Ω
Sd	707.0cm <sup>2</sup>
Vas	99.5dm <sup>3</sup>
BxL	23.5Txm
Mms	96.5g
Le (1kHz)	0.74mH

## Mounting Information

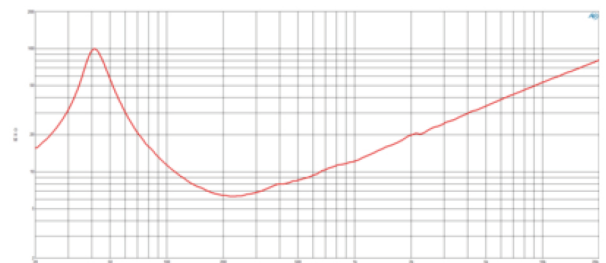
Overall Diameter	359mm(14.13 in)
Bolt Circle Diameter	343mm(13.5 in)
Baffle Cutout	324.0mm(12.76 in)
Overall Depth	176mm(6.93 in)
Net Weight	8.3kg(18.3 lb)



Frequency response measured in a quasi-infinite baffle



Impedance for 8Ω driver



1. 2 hours test made with continuous pink noise signal within the range Fs-10Fs. Power calculated on rated minimum impedance. Loudspeaker in free air.  
 2. Power on Continuous Program is defined as 3 dB greater than the Nominal rating.  
 3. Applied RMS Voltage is set to 2.83 V for 8 ohms Nominal Impedance.  
 4. Thiele-Small parameters are measured after a high level 20 Hz sine wave preconditioning test.