

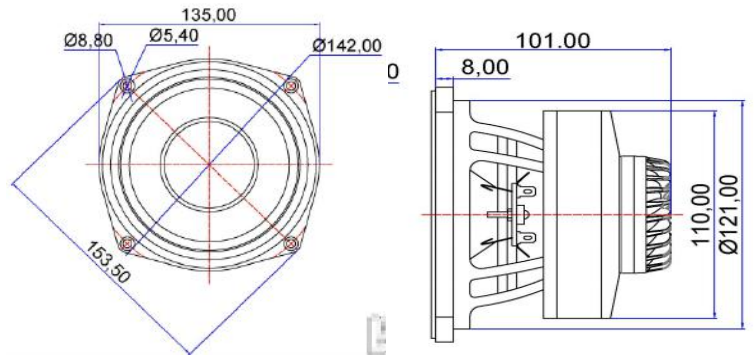


SANWAY AUDIO

<https://www.china-sanway.com>

# 05CX38F-8

5 inch Coaxial Speaker



### Electrical Parameters

Nominal Impedance	8 ohms
Resonance frequency	130Hz
Rated Frequency Range	130-20KHz
Characteristic Sensitivity	92± 3dB
Rated Noise Power	100W
Long Term Maximum Power	200W

### Mechanical Parameters

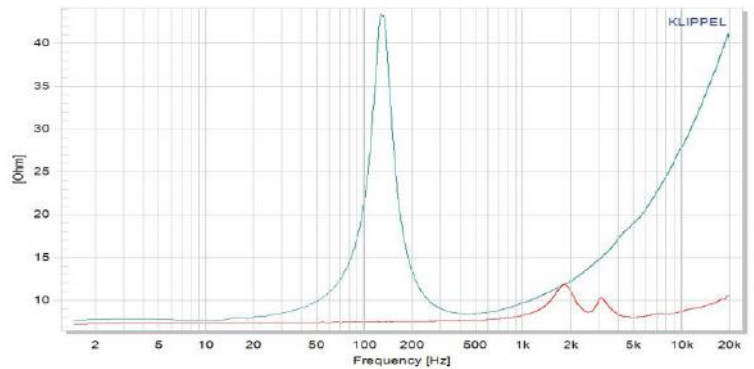
Voice Coil Diameter	38.5 mm
DC Resistance	6.4 ohms
Voice Coil Height	14.6 mm
Magnet Size	110x20 mm
Magnet Material	Ferrite
Linear Excursion Xmax	4.3 mm

### Loss factors

Qts	0.55
Qes	6.47
Sd	95.03
Mms	9.155

Notes: 1 2 hours test with pink noise (6dB crest) between Fs and 10Fs.  
 Power calculated on rated minimum impedance.  
 2 Program Power is defined as 3dB greater than the AES Power  
 3 RMS Voltage set to 2.83V at nominal impedance  
 4 Xmax is defined as (Hc - Hg)/2

### Impedance Curve



### Other Parameters

Qms	3.676
Vas	2.093L
n0	0.68%
EPB	200.9274